

Firm : Work Profile

Enforcing our client's interests is our commitment. Located in Munich and Berlin, our team of highly professional experts constantly strives to satisfy our client's demands. Our innovative infrastructure, combined with our experienced staff, allows us to respond in a flexible manner to our client's requests in the performing of complex tasks.

Our expertise covers all technical fields ranging from nanotechnology to software to biotechnology. Furthermore, we consult and represent our clients in trademark and design law as well as all other fields of intellectual property law. Therein, our approach integrates our additional special services to supplement the rounding out of the conventional spectrum of patent attorney services.

Zimmermann & Partner - protecting your visions



Gerd Zimmermann
Dr. Thomas Leidescher
Dr. Christian Ginzel
Dr. Jan Hornung
Dr. Volker Kühn
Dr. Marc Kraushaar
Dr. Frank Steinbach
Dr. Joel Nägerl
Dr. Benedikt Neuburger
Dr. Dominique Gobert
Dr. Urs Stern
Christian Klein
Dr. Lorenz Hartmann
Dr. Heiner Albiez
Dr. Thomas Schnelle
Monika Scharff



Gerd Zimmermann
physicist

Areas Of Expertise

Automation technology, Material science, Power engineering

Mr. Zimmermann holds a diploma of physics and is a qualified European and German Patent Attorney. During his university years, Mr. Zimmermann specialized in solid state physics. After graduating, he worked as a research assistant in a low temperature laboratory where he constructed an electrical engine with superconducting bearings for driving a liquid helium pump. In 1985, Mr. Zimmermann spent a year at the University of Paris where he conducted experiments in the field of sound transmission which involved carrier wave modulation. He has acquired expertise in electromechanics and the properties of new materials. During his career as patent attorney he has prepared and prosecuted many cases in the field of nanotechnology, medical technology, automation and electron optics. Mr. Zimmermann completed part of his training as a patent attorney at the German Patent Office, the Federal Patent Court and the District Court of Munich. For various companies he conducted assessments and visualizations of larger patent portfolios. Mr. Zimmermann has participated in numerous opposition and nullity proceedings before the German and European Patent Courts.



Gerd Zimmermann
Dr. Thomas Leidescher
Dr. Christian Ginzel
Dr. Jan Hornung
Dr. Volker Kühn
Dr. Marc Kraushaar
Dr. Frank Steinbach
Dr. Joel Nägerl
Dr. Benedikt Neuburger
Dr. Dominique Gobert
Dr. Urs Stern
Christian Klein
Dr. Lorenz Hartmann
Dr. Heiner Albiez
Dr. Thomas Schnelle
Monika Scharff



Dr. Thomas Leidescher
biologist

Areas Of Expertise

Biochemistry, Genetic engineering, Material science,
Medical technology

Dr. Leidescher obtained his Doctorate in Natural Sciences (biochemistry) in 1987 and is a qualified German and European Patent Attorney (since 1992 and 1993, respectively), as well as a European Trademark Attorney (since 1995). In his thesis, Dr. Leidescher among others dealt with analytical biochemistry, protein chemistry and spectroscopic methods, particularly fluorescence spectroscopy. During his post-doctorate work, Dr. Leidescher concentrated on methods of molecular biology (RNA and DNA techniques). Between 1988 and 1992, Dr. Leidescher received training as a patent attorney in a Munich based patent law firm, at the German Patent Office, the Federal Patent Court, as well as the District Court in Munich. The technical fields Dr. Leidescher works mainly in are biotechnology, ceramics, abrasives, paper technology and chemical technology. He mainly handles prosecution, opposition, and appeal cases as well as nullity actions. Furthermore, he assists in infringement actions (trademarks, utility models, patents). In addition, Dr. Leidescher is an expert in trademark matters as well as design applications (each both national and international).



Gerd Zimmermann
Dr. Thomas Leidescher
Dr. Christian Ginzel
Dr. Jan Hornung
Dr. Volker Kühn
Dr. Marc Kraushaar
Dr. Frank Steinbach
Dr. Joel Nägerl
Dr. Benedikt Neuburger
Dr. Dominique Gobert
Dr. Urs Stern
Christian Klein
Dr. Lorenz Hartmann
Dr. Heiner Albiez
Dr. Thomas Schnelle
Monika Scharff



Dr. Christian Ginzel
physicist

Areas Of Expertise

Electronics, Communication technology,
Microtechnology, Optics

Dr. Ginzel obtained his Doctorate in Natural Sciences and is a qualified European and German Patent Attorney. Dr. Ginzel studied physics at the Technical University in Darmstadt and at the Ludwig-Maximilians-University in Munich. During his university years, he received the sponsorship for the highly gifted of the National Academic Foundation ("Studienstiftung des deutschen Volkes"). After graduating, Dr. Ginzel worked as a scientist at the Max-Planck-Institute for Quantum Optics in the fields of laser physics, quantum electronics and quantum electrodynamics. During this period he spent time at MIT in Boston, where he was involved in a research project in Quantum Electronics. Dr. Ginzel carried out part of his training as a patent attorney at the German Patent Office, the Federal Patent Court and the District Court of Munich. After becoming a German Patent Attorney, he joined the Siemens Patent Department where he worked in the field of semiconductor technology, especially memory products and CMOS processes. In our law firm, Dr. Ginzel specializes in the fields of optics, semiconductor technology, microelectromechanical systems and telecommunication.



Gerd Zimmermann
Dr. Thomas Leidescher
Dr. Christian Ginzel
Dr. Jan Hornung
Dr. Volker Kühn
Dr. Marc Kraushaar
Dr. Frank Steinbach
Dr. Joel Nägerl
Dr. Benedikt Neuburger
Dr. Dominique Gobert
Dr. Urs Stern
Christian Klein
Dr. Lorenz Hartmann
Dr. Heiner Albiez
Dr. Thomas Schnelle
Monika Scharff



Dr. Jan Hornung
physicist

Areas Of Expertise

Biophysics, Electronics, Medical technology,
Microtechnology

Dr. Jan Hornung obtained his Doctorate in Natural Science and is a qualified European and German Patent Attorney. Jan Hornung studied Physics at the Humboldt-University in Berlin. In his diploma he worked in the field of holographic interferometry. After graduating, he joined an interdisciplinary biophysical team at the department of Biology at the Humboldt-University, where he focussed on handling of single biological cells and development of microscopic tools for single cell investigations. During the time as a PhD student, Jan Hornung received a scholarship from the "Studienstiftung des deutschen Volkes". After having successfully finished an additional study of intellectual property rights at the department of law at the Humboldt-University, Jan Hornung entered the profession as an in-house counsel with the Patents Department of Siemens AG where he worked in the field of semiconductor technology, especially memory products and CMOS processes. He initially joined Zimmermann & Partner in 2001 to qualify as a European and German Patent Attorney before moving to London in 2003 for two years where he worked in a well established Patent and Trademark law firm. Rejoining Zimmermann & Partner in 2005, Jan Hornung has built up a considerable body of experiences in all aspects of intellectual properties rights. In our law firm, Jan Hornung specialises in the fields of optics, semiconductor technology, automotive systems, electronics and biophysics.



Gerd Zimmermann
Dr. Thomas Leidescher
Dr. Christian Ginzel
Dr. Jan Hornung
Dr. Volker Kühn
Dr. Marc Kraushaar
Dr. Frank Steinbach
Dr. Joel Nägerl
Dr. Benedikt Neuburger
Dr. Dominique Gobert
Dr. Urs Stern
Christian Klein
Dr. Lorenz Hartmann
Dr. Heiner Albiez
Dr. Thomas Schnelle
Monika Scharff



Dr. Volker Kühn
chemist

Areas Of Expertise
Medical technology, Organical chemistry,
Pharmacology, Galenic

Dr. Kühn obtained his Doctorate in engineering (chemistry) from the Technical University of Darmstadt and is qualified European Patent Attorney. Dr. Kühn studied chemistry at the University of Darmstadt and prepared his thesis at the Institute of Organic Chemistry, Makromoleculare Chemistry and Biochemistry in the field of antiaromatic annulenes. 1988 Dr. Kühn joined the patent department of Boehringer Ingelheim GmbH where he attended IP in the field of pharmaceutical chemistry, chemical engineering, galenics and medical technology. In 1999 Dr. Kühn assumed leadership of the corporate Intellectual Property and Licensing Department of the biotechnology concern Qiagen GmbH. During his professional life in industry Dr. Kühn acquired additional IP expertise in the fields of organic chemistry, biotechnology, chemical and pharmaceutical engineering, diagnostics, polymer chemistry and bakery technology.



Gerd Zimmermann
Dr. Thomas Leidescher
Dr. Christian Ginzel
Dr. Jan Hornung
Dr. Volker Kühn
Dr. Marc Kraushaar
Dr. Frank Steinbach
Dr. Joel Nägerl
Dr. Benedikt Neuburger
Dr. Dominique Gobert
Dr. Urs Stern
Christian Klein
Dr. Lorenz Hartmann
Dr. Heiner Albiez
Dr. Thomas Schnelle
Monika Scharff



Dr. Marc Kraushaar
physicist

Areas Of Expertise

Automation technology, Electronics, Material science,
Microtechnology

Dr. Kraushaar obtained his Doctorate in Physics from the University in Aachen (RWTH) and is a qualified European and German Patent Attorney. Dr. Kraushaar has professional experience working for Patterson & Sheridan LLP, Houston, USA. Dr. Kraushaar studied Physics at the University of Karlsruhe, where he worked as a research assistant at the "Forschungszentrum Karlsruhe" in the field of microtechnology and specialized in semiconductor optics for his diploma. After graduating, Dr. Kraushaar worked for the "NoKra Optische Prüftechnik und Automation GmbH" in the field of optical measurement techniques and automation. In addition he worked as a scientist for the "Fraunhofer Institut für Lasertechnik" where he was involved in the research and prototype-development concerning laser-induced plasmas for multi-element analysis. Dr. Kraushaar acquired expertise in the fields of automation, photonic devices, laser technology, microtechnology and software technology.



Gerd Zimmermann
Dr. Thomas Leidescher
Dr. Christian Ginzel
Dr. Jan Hornung
Dr. Volker Kühn
Dr. Marc Kraushaar
Dr. Frank Steinbach
Dr. Joel Nägerl
Dr. Benedikt Neuburger
Dr. Dominique Gobert
Dr. Urs Stern
Christian Klein
Dr. Lorenz Hartmann
Dr. Heiner Albiez
Dr. Thomas Schnelle
Monika Scharff



Dr. Frank Steinbach
physicist

Areas Of Expertise
Electronics, Optics

Dr. Steinbach obtained his doctorate in natural science and is a qualified German and European Patent Attorney and European Trademark and Design Attorney. Dr. Steinbach studied physics at the Johann-Wolfgang-Goethe-University in Frankfurt/Main and at the Georg-August-University in Göttingen. His university studies were awarded by the Heraeus foundation. After graduating, he joined a team at the Max-Planck-Institute on Flow Research (now MPI for Dynamics and Self-Organization) where he focussed on nonlinear systems, especially nanostructures. Besides his main topic, he also worked in the fields of neural networks and cell physics. Dr. Steinbach's patent work focuses on medical technology, power engineering, optics, and electronics. In addition, Dr. Steinbach is an expert in trademark and design matters (both national and international), in particular in product piracy and counterfeiting cases. Dr. Steinbach is a lecturer on IP law at the design faculty of the University of the Arts in Berlin.



Gerd Zimmermann
Dr. Thomas Leidescher
Dr. Christian Ginzel
Dr. Jan Hornung
Dr. Volker Kühn
Dr. Marc Kraushaar
Dr. Frank Steinbach
Dr. Joel Nägerl
Dr. Benedikt Neuburger
Dr. Dominique Gobert
Dr. Urs Stern
Christian Klein
Dr. Lorenz Hartmann
Dr. Heiner Albiez
Dr. Thomas Schnelle
Monika Scharff



Dr. Joel Nägerl
physicist

Areas Of Expertise
Electronics, Software

Dr. Nägerl erhielt seinen Dokortitel in den Naturwissenschaften und ist Europäischer und Deutscher Patentanwalt. Herr Nägerl studierte Physik und Mathematik an der Universität Göttingen und Physik an der Universität von Kalifornien, San Diego. In seiner Doktorarbeit beschäftigte er sich mit Fragestellungen im Bereich Halbleiterphysik und Halbleiteroptik. Während seiner Zeit an der Universität war er in der Hochbegabtenförderung der Studienstiftung des deutschen Volkes. Er arbeitete in den Kanzleien Bardehle (Düsseldorf) und KNH (in Düsseldorf und in München). In unserer Kanzlei ist Herr Nägerl auf die Gebiete Elektrotechnik, Halbleitertechnik und Telekommunikation spezialisiert und widmet seine Zeit überwiegend Patentstreitigkeiten (Verletzungs – und Nichtigkeitsverfahren) und Einspruchsverfahren. Herr Nägerl wirkt regelmäßig an komplexen länderübergreifenden Patentstreitverfahren mit. Aufgrund seiner technischen Expertise ist Herr Nägerl oft auch bei ausländischen Verfahren als Berater für die Entwicklung von technischen Angriffs- und Verteidigungsstrategien gefragt.



Gerd Zimmermann
Dr. Thomas Leidescher
Dr. Christian Ginzel
Dr. Jan Hornung
Dr. Volker Kühn
Dr. Marc Kraushaar
Dr. Frank Steinbach
Dr. Joel Nägerl
Dr. Benedikt Neuburger
Dr. Dominique Gobert
Dr. Urs Stern
Christian Klein
Dr. Lorenz Hartmann
Dr. Heiner Albiez
Dr. Thomas Schnelle
Monika Scharff



Dr. Benedikt Neuburger
physicist

Areas Of Expertise

Communication technology, Optics, Quantum computing, Power engineering

Dr. Neuburger holds a Diploma of Physics, a Ph.D. in Economics, a Masters in Business Research (MBR) and is qualified German and European Patent Attorney. Dr. Neuburger studied Physics at the Ludwig-Maximilians-Universität of Munich, the Università degli studi di Pisa and the Leopold-Franzens-University of Innsbruck. In achieving his diploma, he worked in the fields of quantum computation and fault-tolerant implementations in solid states and photonic systems. After graduating, Dr. Neuburger attended the postgraduate studies titled "Business Research" at the Ludwig-Maximilians-University of Munich where he worked on his Ph.D. on the economic valuation of patents. In his Ph.D., Mr. Neuburger examines valuation techniques known in the art and presents a new method for an accurate value determination of individual patents or technically related patents which is based on the Conjoint-Analysis ("Die Bewertung von Patenten – Theorie, Praxis und der neue Conjoint-Analyse Ansatz". Cuvillier-Verlag, 2005). Simultaneously whilst working on his doctoral thesis, Mr. Neuburger began his training at Zimmermann & Partner. In our law firm, Dr. Neuburger specializes in the fields of semiconductor technology, information technology and energy technology.



Gerd Zimmermann
Dr. Thomas Leidescher
Dr. Christian Ginzel
Dr. Jan Hornung
Dr. Volker Kühn
Dr. Marc Kraushaar
Dr. Frank Steinbach
Dr. Joel Nägerl
Dr. Benedikt Neuburger
Dr. Dominique Gobert
Dr. Urs Stern
Christian Klein
Dr. Lorenz Hartmann
Dr. Heiner Albiez
Dr. Thomas Schnelle
Monika Scharff



Dr. Dominique Gobert
physicist

Areas Of Expertise
Automation technology, Power engineering

Dr. Gobert holds a Ph.D. in Physics and is a qualified German and European Patent Attorney. Dr. Gobert studied Physics at the University of Regensburg, the University of Montpellier (France), the University of Illinois at Urbana-Champaign (USA), and the University of Munich. He received the "Bavarian scholarship for highly gifted students". After graduating, Dr. Gobert worked as a research assistant at the University of Munich and at the Technical University of Aachen in the field of superconducting and magnetic effects in solids. During this period, he spent some time as guest researcher at Cornell University (USA) and at the Weizmann Institute of Technology (Israel). Dr. Gobert obtained his doctorate in physics from the Technical University of Aachen. For his doctorate thesis, he was awarded the Borchers medal of the Technical University of Aachen. In our law firm, Dr. Gobert specializes in the fields of semiconductor technology, automation technology, and power engineering.



Gerd Zimmermann
Dr. Thomas Leidescher
Dr. Christian Ginzel
Dr. Jan Hornung
Dr. Volker Kühn
Dr. Marc Kraushaar
Dr. Frank Steinbach
Dr. Joel Nägerl
Dr. Benedikt Neuburger
Dr. Dominique Gobert
Dr. Urs Stern
Christian Klein
Dr. Lorenz Hartmann
Dr. Heiner Albiez
Dr. Thomas Schnelle
Monika Scharff



Dr. Urs Stern
engineer

Areas Of Expertise

Electrical engineering, Mechanical engineering,
Medical technology, Sensors

Dr. Urs Stern obtained his doctorate degree summa cum laude in mechanical engineering and is a qualified German and European Patent Attorney. Dr. Stern studied mechanical and civil engineering at the Technical University of Munich with an emphasis on mechanics, mechatronics and metallurgy. He received the VDI/VDE award for his outstanding diploma thesis on elastic interactions of beams under harmonic load. After graduating, Dr. Stern worked as research assistant at the Institute of Materials Science and Mechanics of Materials of the Technical University of Munich. During his doctorate, Dr. Stern primarily focused on multi-phase steels used in automotive engineering and shape memory alloys, whereby, a particular focus was on using finite element calculations and experimentations to identify changes in the mechanical behavior of metals caused by the phenomenon of solid state diffusion of carbon. In our law firm, Dr. Stern specializes in the fields of mechanical engineering, medical engineering, measurement engineering and process engineering.



Gerd Zimmermann
Dr. Thomas Leidescher
Dr. Christian Ginzel
Dr. Jan Hornung
Dr. Volker Kühn
Dr. Marc Kraushaar
Dr. Frank Steinbach
Dr. Joel Nägerl
Dr. Benedikt Neuburger
Dr. Dominique Gobert
Dr. Urs Stern
Christian Klein
Dr. Lorenz Hartmann
Dr. Heiner Albiez
Dr. Thomas Schnelle
Monika Scharff



Christian Klein
physicist

Areas Of Expertise

Automation technology, Electronics, Communication
technology, Power engineering

Christian Klein studied Physics at the Technical University of Munich. During his studies, he specialized in the field of laser mass spectrometry. After his degree, he worked as a research assistant at the Physics department of the University of Stellenbosch, South Africa, where he specialized in time-resolved mass spectrometry of organic traces in automobile exhaust emissions. During his professional career, he worked as an editor for professional journals in the fields of Computer Aided Design, 3D computer graphics and digital media. Subsequently, he worked as a technical product manager at the technology branch of the leading German TV corporation, responsible for software applications in the field of interactive digital TV and streaming media. In our law firm, Mr. Klein specialises in the fields of information technology, semiconductor technology, electronics, automation and power engineering.



Gerd Zimmermann
Dr. Thomas Leidescher
Dr. Christian Ginzel
Dr. Jan Hornung
Dr. Volker Kühn
Dr. Marc Kraushaar
Dr. Frank Steinbach
Dr. Joel Nägerl
Dr. Benedikt Neuburger
Dr. Dominique Gobert
Dr. Urs Stern
Christian Klein
Dr. Lorenz Hartmann
Dr. Heiner Albiez
Dr. Thomas Schnelle
Monika Scharff



Dr. Lorenz Hartmann
Diplom-Physiker

Areas Of Expertise

Electronics, Communication technology, Optics,
Software

Dr. Hartmann studied physics at the University of Munich, holding a scholarship of the German Academic Foundation. He conducted research at the Institute for Biomolecular Optics in the area of Raman and resonance fluorescence spectroscopy on laser dyes and related molecules. With a grant of the German Academic Foundation he wrote his diploma thesis in theoretical physics about weak coherent state path integral methods at the University of Florida in Gainesville. Dr. Hartmann received a doctorate from the University of Innsbruck for research on quantum information theory, quantum communication, simulation of quantum systems and quantum optics. Afterwards he held a postdoctoral position in Innsbruck working in the domain of quantum codes and quantum error correction. In our law firm, Dr. Hartmann specializes in the fields of communication and information technology, optics, medical technology and technical exploitation of high-end research of universities and comparable institutes.



Gerd Zimmermann
Dr. Thomas Leidescher
Dr. Christian Ginzel
Dr. Jan Hornung
Dr. Volker Kühn
Dr. Marc Kraushaar
Dr. Frank Steinbach
Dr. Joel Nägerl
Dr. Benedikt Neuburger
Dr. Dominique Gobert
Dr. Urs Stern
Christian Klein
Dr. Lorenz Hartmann
Dr. Heiner Albiez
Dr. Thomas Schnelle
Monika Scharff



Dr. Heiner Albiez
biologist

Areas Of Expertise
Biochemistry, Genetic engineering, Medical
technology, Pharmacology

Dr. Albiez studied Biology at the University of Göttingen, the University of Vienna and the Ludwig-Maximilians-University in Munich. During his university years, Dr. Albiez received a scholarship for highly gifted students from the Aventis Foundation in the field of pharmacogenomics. After graduating, Dr. Albiez specialized in human genetics and did his doctorate as a research assistant at the Institute for Anthropology and Human Genetics at the Ludwig-Maximilians-University in Munich in the field of functional nuclear architecture. His research was focussed on the investigation of the interrelation between chromatin topology and chromatin function in nuclei of living cells. Dr. Albiez fields of expertise are biotechnology, genetic engineering, medical technology and pharmacology.



Gerd Zimmermann
Dr. Thomas Leidescher
Dr. Christian Ginzel
Dr. Jan Hornung
Dr. Volker Kühn
Dr. Marc Kraushaar
Dr. Frank Steinbach
Dr. Joel Nägerl
Dr. Benedikt Neuburger
Dr. Dominique Gobert
Dr. Urs Stern
Christian Klein
Dr. Lorenz Hartmann
Dr. Heiner Albiez
Dr. Thomas Schnelle
Monika Scharff



Dr. Thomas Schnelle
physicist

Areas Of Expertise
Biophysics, Electronics, Microtechnology, Software

Dr. Thomas Schnelle obtained his Doctorate in Natural Sciences from the Humboldt-University in Berlin (HUB). He studied Physics with emphasis on solid state and statistical physics. During his work as a post doctoral researcher at the Institute of Biology of the HUB he developed in an interdisciplinary team methods for gentle handling and analysis of single biological cells using rf-electric fields in micro fluidic chips. Prior to joining our firm, Dr. Schnelle worked on the development of automated system for cell manipulation based on lab-on-chip systems in one of the leading German biotech companies. Further technical areas are physical chemistry, biophysics, sensors, electronics, optics and software.



Gerd Zimmermann
Dr. Thomas Leidescher
Dr. Christian Ginzel
Dr. Jan Hornung
Dr. Volker Kühn
Dr. Marc Kraushaar
Dr. Frank Steinbach
Dr. Joel Nägerl
Dr. Benedikt Neuburger
Dr. Dominique Gobert
Dr. Urs Stern
Christian Klein
Dr. Lorenz Hartmann
Dr. Heiner Albiez
Dr. Thomas Schnelle
Monika Scharff

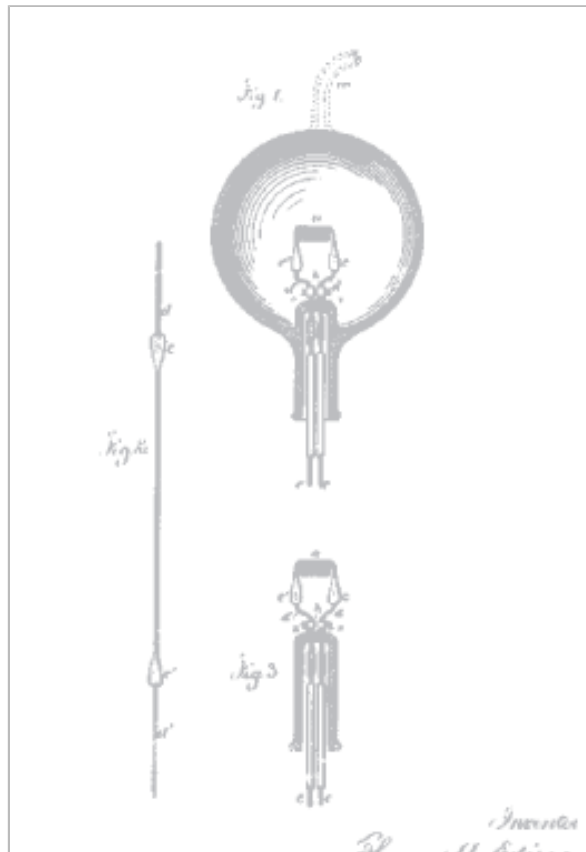


Monika Scharff
engineer

Areas Of Expertise

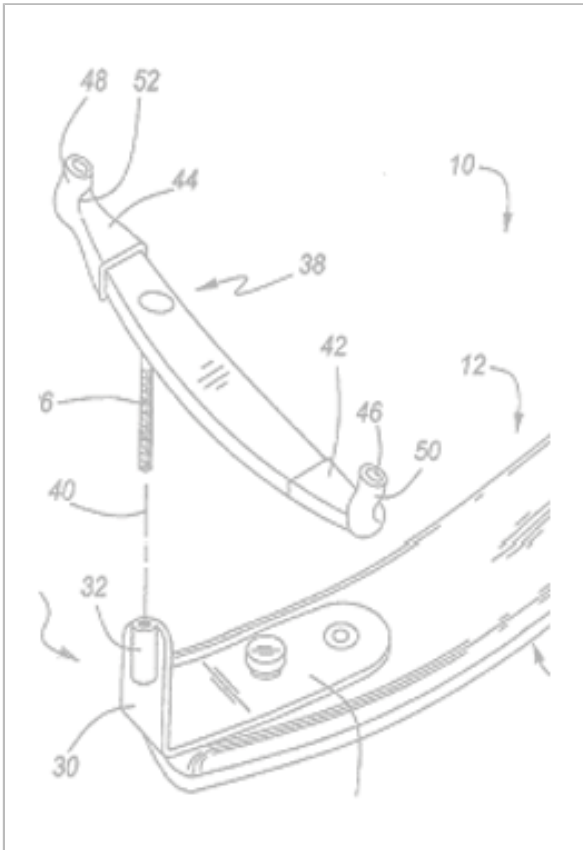
Mechanical engineering, Medical technology,
Microtechnology, Power engineering

Monika Scharff studied mechanical engineering at the technical university of Munich. For her studies, she chose as specialisation “medical engineering” and “fundamentals of engineering”. In achieving her diploma, Scharff worked in the field of fluid-structure-interaction in the human inner ear. The diploma thesis involved the calculation, the simulation as well as the analysis of the circumstances in the human cochlea. During her studies, Scharff worked for one of the leading corporation for semiconductors, in the department of quality management. In addition, Scharff participated lecturing about the perspective of the Finite-element- method at the Evangelische Akademie Tutzing. In our law firm, Monika Scharff specialises in the filed of medical engineering, energy technology and semiconductor technology.



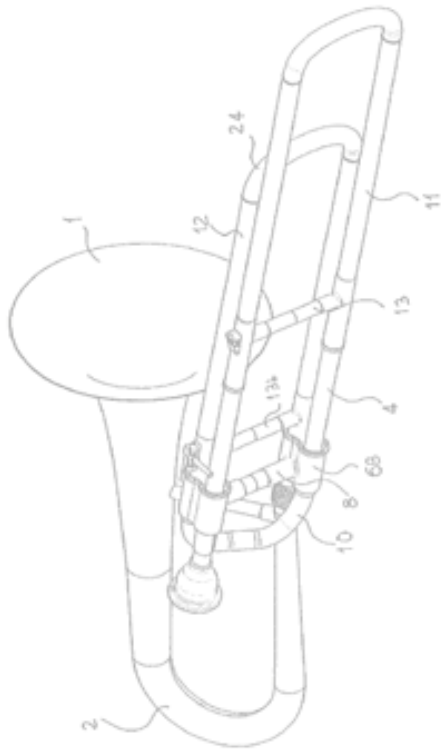
EXPERTISE : Patents

Patents protect the technological innovations of your business. Patents are granted for technical inventions which are new and take an inventive step beyond the state of the art. Due to our technological and legal expertise, we are the ideal partner for our clients to protect their innovative ideas in the best possible way. We support and accompany our clients through every stage of patenting – from drafting the application to defending the patent in opposition and nullity proceedings. We enforce the patent rights of our clients in court against infringers. On the other hand, we safeguard the economic freedom of our clients by attacking the patents of their competitors. Zimmermann & Partner - protecting your visions.



EXPERTISE : Trademarks

Trademarks communicate the quality and performance of your business. Building a strong brand makes the difference between your business and your competitors. We support and accompany our clients in building effective trademark protection – from planning complex filing strategies to defending the trademark in opposition and cancellation proceedings. We take legal action against counterfeiters and provide custom action to seize the infringing goods. On the other hand, we safeguard the good name of our clients by attacking interfering trademarks of their competitors. Zimmermann & Partner - protecting your visions



EXPERTISE : Designs

Design elevates your products above today's bulk commodity. Design models protect the creative power of your business for designs which are new and have individual character.

We support and accompany our clients in protecting their creative power— from the filing of design models to defending the design models in nullity and cancellation proceedings. We take legal action against counterfeiters and provide custom action to seize the infringing goods. On the other hand, we safeguard the creative freedom of our clients by attacking interfering design models of their competitors.

Zimmermann & Partner - protecting your visions



EXPERTISE : Specials

In addition to the conventional services of a patent law firm, we offer special services to our clients.

We have developed a particularly powerful tool for doing prior art searches which has already proven its effectiveness, especially in patent infringement suits and portfolio analysis.

Furthermore, we have special expertise in the (monetary) evaluation of IP rights. We successfully apply these instruments to support our clients in M&A transactions or in investment decisions.

Also, we have special expertise in unearthing and utilizing the technological knowledge contained in patents for the strategic development of business areas of technology-driven enterprises.

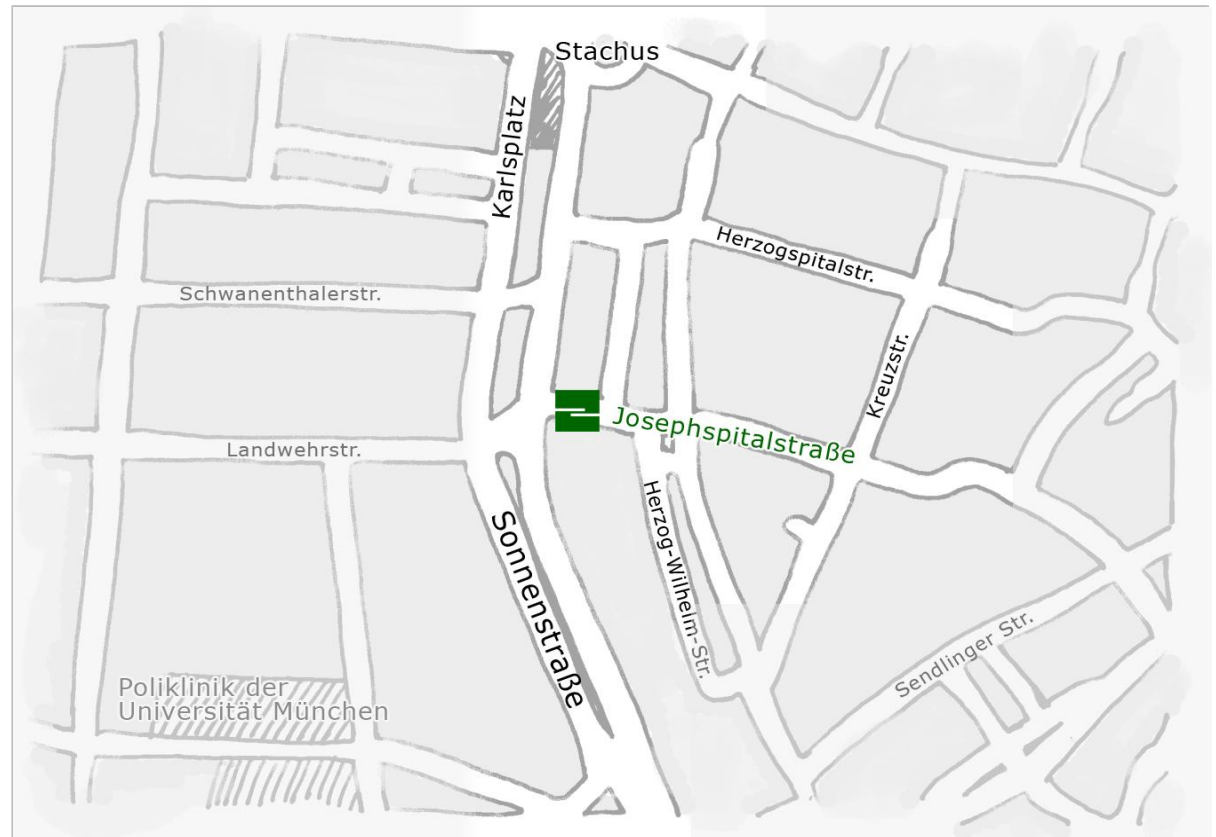
Zimmermann & Partner - protecting your visions



Munich

ZIMMERMANN & PARTNER
Patentanwälte
European Patent Attorneys

Josephspitalstr. 15
D - 80331 München
Tel.: +49 (0)89 232 69 - 0
Fax: +49 (0)89 232 69 - 232
<mailto:mail@zimpat.com>





Berlin

ZIMMERMANN & PARTNER
Patentanwälte
European Patent Attorneys

Friedrichstraße 153a
D - 10117 Berlin
Tel.: +49 (0)30 20 91 474 - 0
Fax: +49 (0)30 20 91 474 - 474
<mailto:mail@zimpat.com>

